



Soltron Space Cab

User manual

INDEX

1. INTRODUCTION	2
IMPORTANT	2
WARRANTY	2
2. EQUIPMENT DATA	3
3. COMPULSORY PRECAUTIONS	5
EXPOSURE SCHEDULE	5
WARNINGS.....	6
SAFETY RULES	7
CLEANING	7
4. INSTALLATION	8
PACKAGING	8
CABIN.....	9
HOW TO INSTALL THE UNIT	10
5. FUNCTIONING MODE.....	17
OPERATING INSTRUCTIONS	17
PROGRAMMING	18
REMOTE CONTROL CONNECTION	21
ROUTINE AND EXTRAORDINARY MAINTENANCE	22
MAINTENANCE REGISTER.....	23
6. NOTES	27

1.

INTRODUCTION

In thanking and congratulating on your choice, with this manual we are illustrating in the simplest possible way the general instructions for use and maintenance of the vertical solarium Soltron Space Cab.

IMPORTANT

IMPORTANT: before installing the equipment, carefully read the present manual and follow the technical operating instructions and advice contained in it

The material contained in this document is given exclusively for informative purposes and is subject to modification without notice. Despite the maximum attention paid in preparing the document, JK Products, Inc. is not responsible for any damage deriving from errors or omissions or from the use of this information.

Keep this manual and all the attached documentation in an accessible place known to all the operators.

WARRANTY

The equipment is warranted for a period of 12 months.

The warranty is limited to the repair or replacement of the faulty part and is not valid for malfunctions due to incorrect use and/or tampering and repairs carried out by unauthorized persons.

The warranty does not cover elements due to normal use like starters and lamps.

The warranty does not cover costs of labour and possible shipment costs. However, there is a 90 day labour warranty.

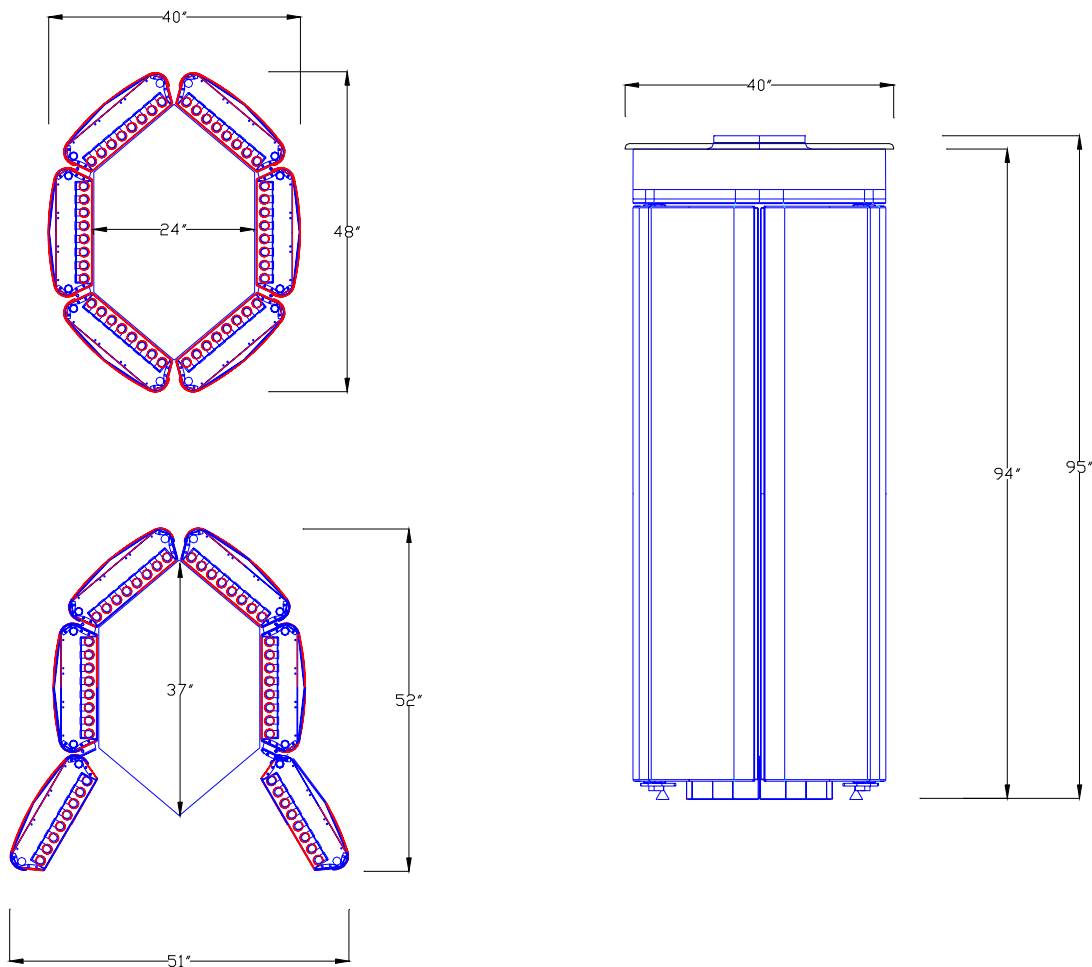
The warranty is cancelled if the instructions contained in the present manual are not followed.


The warranty becomes effective from the date given in the delivery document.

2. EQUIPMENT DATA

<i>Model</i>	Soltron Space Cab	
<i>Phase*</i>	3 + PE (three-phase)	
<i>Voltage supply</i>	220 V ac	
<i>Amperage</i>	34 A	
<i>Frequency</i>	60 Hz	
<i>lamps</i>	48x 180W 2mt	
<i>Unit dimensions (door closed)</i> <i>Length x width x height</i>	48" X 40" X 94"	(1200 x 1000 x 2350 millimeters)
<i>Unit dimensions (door opened)</i> <i>Length x width x height</i>	52" X 51" X 94"	(1290 x 1265 x 2350 millimeters)

* Tanning system does not support single-phase power



<i>Installation site</i>	in dry rooms with sufficient air supply (more than 1,177 CFM – 2000m ³ /h)	
<i>Relative air humidity</i>	≤70 %	
<i>Ambient temperature</i>	≤30°C (86 °F)	
 ATTENTION!	The unit must not be operated in case of faulty of control panel or some broken parts	

Electrical connection

<i>Mains voltage</i>	220 V / three-phase / 60 Hz	220 V / single-phase / 60 Hz
<i>Needed cable cross section</i>	4 x 8 AWG	3 x 4 AWG

Accessories

<i>Lamps (number of)</i>	Cosmedico VHR 9K90 (48)
<i>UV protective eyewear (number of)</i>	Schmerler 2255 dark red (1)

Acrylics are special glass panels for this kind of use, with a high UV transmittance. Despite of superior production technology, sometimes minor spots, air bubbles or micro-fine hairline cracks can occur with use. These occurrences are material-dependent and unavoidable in processing, however have not significant effect on the final effect and can not be recognized as defects.

For replacement of lamps, eyewear or parts, contact:

JK Products and Services
1, Walter Kratz Drive
Jonesboro, AR 72401
(877) 786 5267

This unit is intended as exclusive use in the US and Canada, and can not be exported or operated in other countries. The manufacturer shall bear no responsibility in case of non-observance.

Here is a copy of the label on the unit:



3. COMPULSORY PRECAUTIONS

DANGER Ultraviolet radiation.

Follow instruction to avoid overexposure.

As with natural sunlight overexposure can cause eye and skin injury and allergic reactions. Repeated exposure may cause premature aging of the skin and skin cancer.

WEAR PROTECTIVE EYEWEAR; FAILURE TO MAY RESULT IN SEVERE BURNS OR LONG TERM INJURY TO THE EYES.

Medication or cosmetics may increase your sensitivity to ultra-violet radiation. Consult a physician before using sunlamps; if you are using medications or have a history of skin problems or believe you are especially sensitive to sunlight. If you do not tan in the sun, you are unlikely to tan from the use of this product.

This unit utilizes UV lamps. Replace only with **Cosmolux VHR 9K90**.

When using this booth, stand upright on center of the floor. Minimum use distance is 6 inches or 15,25 centimetres from acrylic. **Operation of this device below the recommended minimum distance for use may result in overexposure.**

EXPOSURE SCHEDULE

Recommended Exposure schedule					
Skin type	Week 1	Week 2	Week 3	Week 4	Weekly
II – fair	2	4	6	8	10
III- average	2	4	6	8	10
IV – brown	2	6	8	10	10
V – dark brown	2	6	8	10	10

Maximum exposure time is 10 minutes.

Here is a brief description of skin types:

- Skin type II (fair):** This is the individual that usually burns easily and severely, tans minimally or lightly and peels.
- Skin type III (average):** Often referred to as “Average” complexion, burns moderately and tans about average.
- Skin type IV (brown):** This individual burns minimally, tans easily and above average with each exposure.
- Skin type V (dark brown):** This individual’s system rarely burns, tans easily and substantially.

Tanning can begin on regular basis. An appearance of tanning normally appears after a few exposures and maximizes after 4 weeks of exposure following the recommended schedule for your skin type.

Use protective eyewear SCHMERLER 2255 Dark Red or equivalent as defined under. 21CFR 1040.20.2(b) (6).

Read instruction booklet before using lamps.

WARNINGS

Occasionally, persons using the tanning system will experience a slight reddening of the skin - usually in small patches - after the second or third session. This redness is often accompanied by an itching sensation. This may be nothing more than a heat "rash" caused by heat from the lamps within the system.

It should go away within approximately 24 hours and should not reappear. This "rash" can be lessened or prevented by applying moisturizer lotion to the affected area after the tanning session is completed.

Increasing tanning also requires an extension of the exposure time or after a certain degree of tanning has been achieved, a further intensification is not possible.

However, the tanning time may not be extended as desired within the scope of the permissible exposure schedule!

Therefore, only a certain degree of final tanning dependent on the skin type can be achieved without endangering your health.

Special attention must be paid in cases of marked individual sensitivity to ultraviolet radiation and if medicines or cosmetics are used; in this case it is recommended to previously consult a doctor.

Exposure to UV rays is inadvisable after hair-removal or particular treatments.

Exposure is strongly unadvised to pregnant persons.

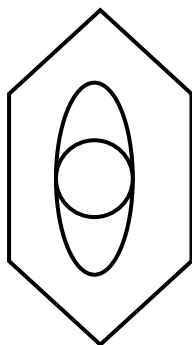
Before carrying out the tanning treatment remove any cosmetic products and make up (do not use products containing alcohol), do not spray perfumes and deodorants. Remove any jewelry and contact lenses.

During exposure always wear protective glasses. If the eyes are inadequately protected they can develop superficial inflammation (reddening), after excessive exposure, and in certain cases there could be damage to the retina; repeated exposure could cause cataracts.

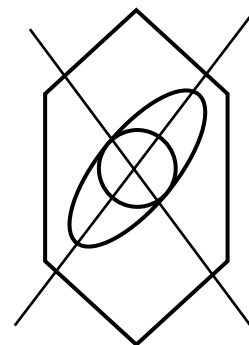
Do not expose yourself to the sun on the same day on which a tanning system has been used.

Only one person can be exposed to the product at a time. Always use the special protection glasses, one pair is provided with each system.

The following picture shows the correct position of the body inside the cabin:



YES



NO

SAFETY RULES

Before turning the appliance on, the salon operator must perfectly know the position and function of all the controls and the characteristics of the equipment. Moreover, the operator must have carefully read and fully understand the content of this manual.

The salon operator is responsible for informing users on possible risks during tanning.

The operator has to follow indications on labels attached to the unit; these labels must not be removed.

Installation and extraordinary maintenance of the unit has to be done by qualified technicians.

It is absolutely prohibited to obstruct the ventilation ducts of the equipment.

This device is intended to be used with the following lamps:

Cosmolux VHR 9K90

Provided eyewear are SCHMERLER 2255 Dark Red or equivalent as defined under. 21CFR 1040.20.2(b) (6).

For replacement of lamps, eyewear or parts, contact:

JK Products and Services
1, Walter Kratz Drive
Jonesboro, AR 72401
(877) 786 5267

Lamps, eyewear and other components have to be replaced by original manufacturer parts.

Any tampering or unauthorized replacement of one or more parts or units of the equipment, the use of accessories or consumable materials other than the originals in any case are not recommended by the manufacturer. Use of non-compliant components could represent an accident risk and relieves can represent an accident risk and relieves the manufacturer of any liability.

This unit is intended as exclusive use in the US and Canada, and can not be exported or operated in other countries. The manufacturer shall bear no responsibility in case of non-observance.

CLEANING

For maximum efficiency of your tanning unit, periodic cleaning of lamps, reflectors and the inside of acrylics is required. Refer to relamping instructions for acrylic removal.

The breaker for the tanning system must be switched off before removing acrylics, lamps or engaging in the maintenance of the product.

For cleaning acrylics do not use dry cloth, it can scratch the acrylic surface. Before cleaning remove rings, watches and bracelet

CAUTION: Do not use excessive amounts of water, any abrasive cleaners, or any spray cleaners that carry label warnings regarding reactions to contact with skin!

Do not use products containing alcohol.

4. INSTALLATION

PACKAGING

The packaging for Soltron Space Cab is so composed:

1 pallette 88" X 44" X 37"(high) (2200 x 1100 x 930(high) mm)

1 pallette 48" X 40" X 14"(high) (1200 x 1000 x 360(high) mm)

The external boxes are in Vulcan cardboard, this means a high robustness and a high resistance to hits;

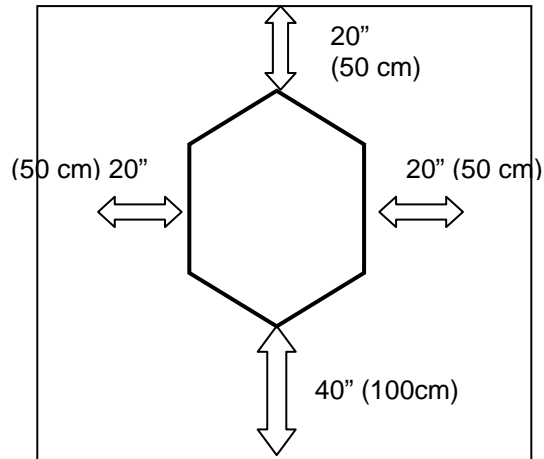
The parts inside are placed on special polyester seats, that allow to insert in one box 6 panels with tubes without risk of damaging: the polyester seats make the panels separated one to each other and make that the weight of the upper panels do not impact on the panels below but on the seats.



CABIN

The ventilation of the room must be adequate. The room will have a possible duct for exhausting hot air produced by the tanning equipment out.

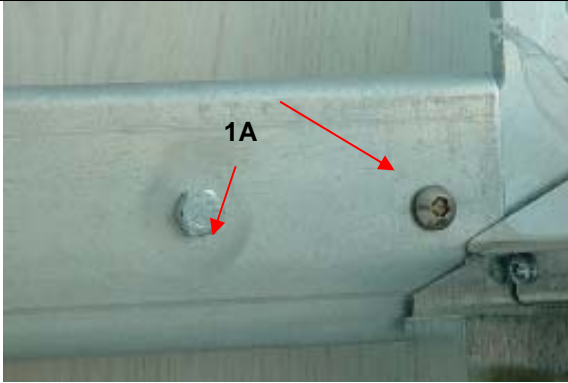
For optimum performance of the tanning system it is advisable to comply with the measurements (distances) given below:



HOW TO INSTALL THE UNIT

<p>Take out from the package the metal brackets. The brackets are numbered too as shown on the right.</p>	
<p>Each panel of the unit is assigned a number from 1 to 6 (see on the right), so you can see which is the right position of the panel.</p>	
<p>Fix the brackets on the bottom side of panel 2 (brackets number 1 and 2) and panel 5 (brackets number 4 and 5), and insert the feet. For fixing brackets use nuts from bag 1B.</p>	
	<p style="text-align: right;">Panel2</p>
<p>1B</p>	<p style="text-align: right;">Panel5</p>

Insert the 2 long metal brackets on panel 2, then fix them with screws in bag 1A (see below); Do not attach all at this time.



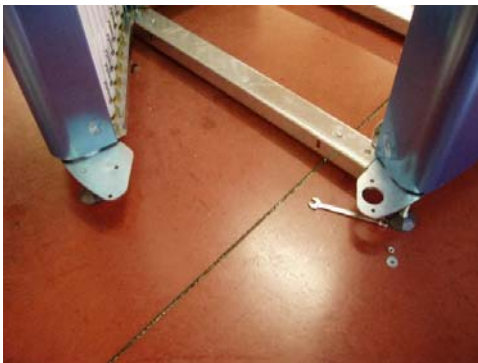
Connect panel 5 to panel 2 inserting panel 5 into long brackets as shown below, without completely tightening the screws.
At the end of this operation the two panels can stand up by themselves.



On the bottom side of panel 4 attach bracket number 3 with the foot, as shown on the right.



Attach panel 4 to panel 5. Insert 2 screws into the bottom of the panel. M6 nuts should be attached to the screws and not securely fastened at this time.



Panel 3 has no brackets on the bottom, it has to be inserted between panel 2 and 4. Carefully place the screws on the bottom of the panels through the access holes in the mounting plate. Secure the panel in its place using the M6 nuts from the bottom.



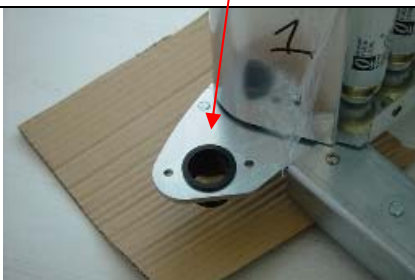
Position the roof over the four panels. Power cables for each panel should pass through the holes provided in the roof.



Insert M6 nuts on rear side without tightening them all the way.



Insert plastic cylinders on the top side of panel 1 and 6 (doors);



Insert the door: first insert the bottom side (see picture on the right),

then raise the front of the roof and insert the top of the door (remember the cable trough the hole, see picture below).



Repeat the same operation with the second door.
Now you can tighten the nuts on the roof.

Insert cables from the panel through the roof.



Connect white plastic connectors with the same number.



Take the external handle and fix it on the left door using screws on bag 4 and aluminium cylinders on bag 5; take care on fixing step by step one all screw, otherwise you can damage the handle.



Fix the 2 internal handles with screws on bag 6 to the doors;
Fix the 2 internal support handles with screws on bag 7 to the internal side of the roof;

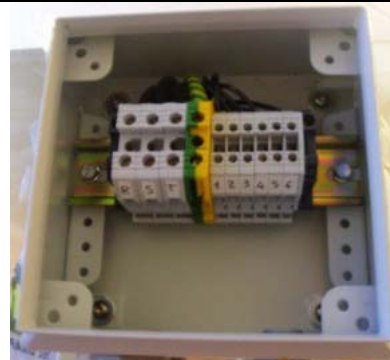
Remove plastic covers from internal side of panels (acrylics and metal covers).



Put the metal cover on the top.



Remove the box cover from the side of the roof, and connect power supply to box connectors;



Repeat the same operation with the 6-pole connector to external timer if needed;

Switch on the unit, check that all lamps, fans and the main ventilator are on.

5. FUNCTIONING MODE

The purpose of this chapter is to describe how the system works, giving a detailed description of several pages on the display and of several steps during a treatment; it's also possible to setup some features of the unit.

The electronic control device mainly carries out the function of a timer: it enables a tanning treatment of programmed duration to be carried, automatically switching on and off of the lamps and the cooling fans of the tanning system.

Implemented in the electronic device are also meters in which the equipment activity times are memorized and that can be used for controlling takings.

OPERATING INSTRUCTIONS

Before approaching the unit for a tanning session, please read carefully chapter 3 on "compulsory precautions".

The first page you can see shows as the following:

1										S	o	I	t	r	o	n				
										S	T	A	R	T						

This page will come back automatically if you do not press any button for 3 minutes (of course not during the tanning session!); pressing one of the 4 buttons you can enter the following page:

2	S	E	S	S	I	O	N	:			1	0	:	0	0						
										S	T	A	R	T	E	S	C				

press **ESC** for going back to page 1

The treatment duration shown on the display is the last one you have entered in the service menu;

Pressing START button the page below will be shown, and you can listen the following vocal message:

"Welcome, we hope you enjoy your pleasant moment of relaxation while you tan. Please make sure you removed all make up, and contact lenses and you're wearing protective goggles. To control the ventilation, use the dial on the lower right of the panel".

2a	T	I	M	E	R	E	M			1	0	:	0	0								
										S	T	A	R	T	S	T	O	P				

Vocal message running

If you press the START button a second time during voice speaking, the session begins immediately, otherwise it begins automatically at the end of the message; the following page appears:

2b	T	I	M	E	R	E	M			0	9	:	4	8								
															S	T	O	P				

Decreasing time is shown

At half time of the session you'll listen the following vocal message:

"You're now halfway through your sunbed session".

When 10 seconds to the end are missing, you can hear the following vocal message:

"Your session is now ending. Thank you and goodbye".

Pressing **STOP** button the session terminates, and if there's a cooling time set up the following page will be shown:

2c

			P	O	S	T		S	E	S	S	I	O	N		
						C	O	O	L	I	N	G				

At the end the program will come back to page 1.
All operations shown before can be executed without any access key.

PROGRAMMING

Using the access key you can enter inside the service menu: insert the key and press any button, the following page will be displayed:

3

		S	E	R	V	I	C	E		M	E	N	U			
														E	N	T

Removing the access key, from any page you'll come back to page 1;
Pressing **ENT** next page appears:

4

S	E	S	S	I	O	N	:				1	0	:	0	0	
<							>			E	N	T		E	S	C

press **ESC** for going back to page 1

Selecting buttons **<** or **>** you can shift to several functions of the menu, and after the last page you'll find the first one again:

5

M	I	N	U	T	E	S		:			0	0	2	3	1	
<							>			R	E	S		E	S	C

press **ESC** for going back to page 1

6

L	A	M	P		H	O	U	R	S		0	0	0	0	3	
<							>			R	E	S		E	S	C

press **ESC** for going back to page 1

7

U	N	I	T		H	O	U	R	S		0	0	0	0	3	
<							>							E	S	C

press **ESC** for going back to page 1

8

C	O	O	L	I	N	G										
<							>			E	N	T		E	S	C

press **ESC** for going back to page 1

9

	R	E	M	O	T	E		C	O	N	T	R	O	L		
<							>			E	N	T		E	S	C

press **ESC** for going back to page 1

10

V	E	R	S	I	O	N	:			E	N	G	0	1		
<							>							E	S	C

press **ESC** for going back to page 1

11

A	U	D	I	O		S	Y	S	T	E	M					
<							>			E	N	T		E	S	C

press **ESC** for going back to page 1

From page 5:

5	M	I	N	U	T	E	S	:	0	0	2	3	1		
	<								R	E	S		E	S	C

press **ESC** for going back to page 1

This value is a minute counter, you can reset this value when you need.
 Keeping pressed **RES** button for at least 3 seconds minutes value will be reset to 00000;

From page 6:

6	L	A	M	P		H	O	U	R	S		0	0	0	0	3	
	<					>				R	E	S			E	S	C

press **ESC** for going back to page 1

This value is a hour counter, you can reset this value when you need (for example when replacing lamps).
 Keeping pressed **RES** button for at least 3 seconds lamp hours value will be reset to 00000;

From page 7:

7	U	N	I	T		H	O	U	R	S		0	0	0	0	3	
	<					>									E	S	C

press **ESC** for going back to page 1

This value is a hour counter, but this is not erasable: this represent the total life of the unit.
 Keeping pressed **RES** button for at least 3 seconds lamp hours value will be reset to 00000;

From page 8:

8	C	O	O	L	I	N	G										
	<									E	N	T			E	S	C

press **ESC** for going back to page 1

Press **ENTER** for the next page:

8a	C	O	O	L	I	N	G	:				1	8	0			
	<									M	E	M	O		E	S	C

Value 180 is blinking
 press **ESC** for going back to page 8

Pressing **<** or **>** buttons you can modify the cooling value with steps of 30 seconds , from a minimum of 180 to a maximum of 300 seconds;
 Pressing **MEMO** button you can see for some seconds the following page:

			P	A	R	A	M	E	T	E	R			
			P	R	O	G	R	A	M	M	E	D		

If the sentence **PARAMETER NOT PROGRAMMED** appears, please repeat the operation;

From page 11:

11	A	U	D	I	O		S	Y	S	T	E	M				
	<					>				E	N	T		E	S	C

press **ESC** for going back to page 1

Pressing **ENT** button the following page will appear:

11a	A	U	D	I	O	:					E	N	A	B		
	<					>				M	E	M	O	E	S	C

ENAB is blinking

press **ESC** for going back to page 11

Selecting < or > you can choose between **ENAB** and **DISAB**, that means that vocal messages are active or not:

11b	A	U	D	I	O	:					D	I	S	A	B	
	<					>				M	E	M	O	E	S	C

DISAB is blinking

press **ESC** for going back to page 11

Pressing **MEMO** button the chosen option is saved.

From page 9:

9	R	E	M	O	T	E		C	O	N	T	R	O	L		
	<					>				E	N	T		E	S	C

press **ESC** for going back to page 1

Pressing **ENT** button the following page will appear:

9a	R	E	M	O	T	E	:					E	N	A	B	
	<					>				M	E	M	O	E	S	C

ENAB is blinking

press **ESC** for going back to page 9

Selecting < or > you can choose between **ENAB** and **DISAB**, that means you the unit is controlled by an external timer (remote control enabled) or by the internal one (disable):

9b	R	E	M	O	T	E	:					D	I	S	A	B
	<					>				M	E	M	O	E	S	C

DISAB is blinking

press **ESC** for going back to page 9

Pressing **MEMO** button the chosen option is saved.

If the remote control function is enabled, the display will appear as the following page:

1										S	o	I	t	r	o	n				
										S	T	A	R	T						

This page will come back after 3 minutes without pressing any button; pressing one of the 4 buttons the following page will appear:

12	T	I	M	E	R	E	M					0	0	:	0	0	
					S	T	A	R	T	E	S	C					

press **ESC** for going back to page 1

Pressing START button a free potential switch will be closed (start command), and this switch will remain closed for 5 seconds and then will open again;

If a start arrives from the external connector, the session begins:

12a	T	I	M	E	R	E	M					0	0	:	1	3
					S	T	O	P								

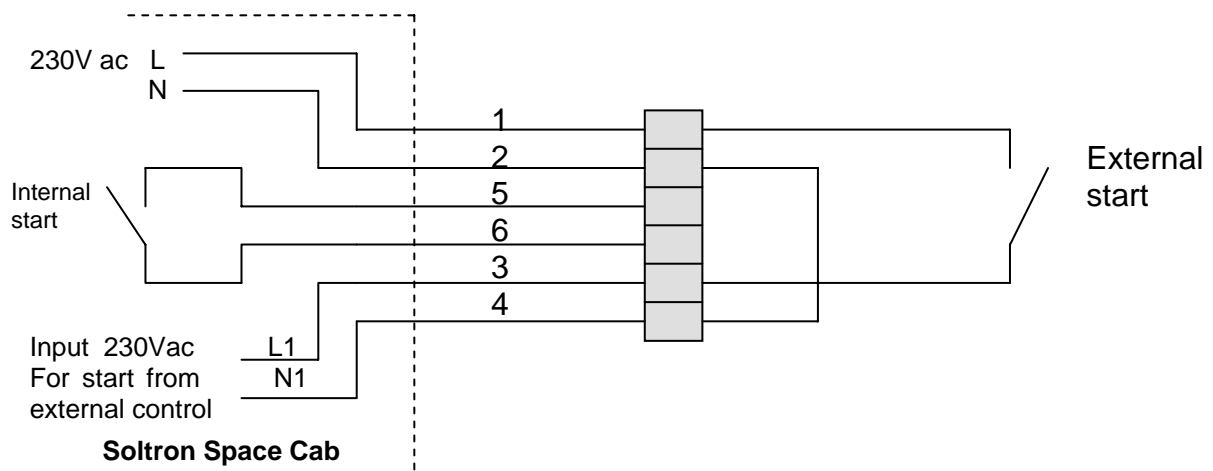
Increasing time is displayed

At the end of the treatment (or pressing **STOP** button), page 2b will be displayed (cooling).

REMOTE CONTROL CONNECTION

On the external side you have a 6-pole connector, on the top back of the unit, to allow the interfacing to the external control.

In the drawing below you can see how to connect the unit to a generic external control.



ROUTINE AND EXTRAORDINARY MAINTENANCE

To keep the solarium efficient, carry out the following simple operations:

The unit has to be disconnected from power supply before cleaning acrylics or lamps or engaging in the maintenance of the product.

Clean the lamps with specific products for cleaning glass surfaces.

Clean the acrylic without using detergent products containing alcohol (the surface could become dull and therefore stop a part of the UV).

Various suitable products are readily available on the market for this purpose.

Clean the equipment (especially the parts in contact) with non-aggressive disinfectant products.

Various suitable products are readily available on the market for this purpose.

Periodically make sure that the air intakes are not blocked with dust or other materials (tissues, etc.).

Periodically replace the lamps and the starters (normally between 400 and 600 hours of use).

For replacing lamps and starters:

- Disconnect the unit from power supply;
- Unscrew and remove the 2 screws on the upper side of one acrylic panel and remove the metal cover;
- Unscrew (without removing) the 2 screws on the lower side of the acrylic panel;
- Lift up the acrylic from screws and store in a safe place to avoid damage;
- Remove the lamps by turning them 90° and pulling out from lamp holders;
- Install new lamps by repeating the same operations in reverse.
- Clean lamps and acrylics before closing the panel;
- Power the tanning system on after completing the process.

**All operation that access electrical parts have to be completed by a qualified technician.
Before accessing inside the unit disconnect power supply.**

For replacement of lamps, eyewear or parts, contact:

**JK Products and Services
1, Walter Kratz Drive
Jonesboro, AR 72401
(877) 786 5267**

MAINTENANCE REGISTER

Model of equipment:		Serial No.:
Intervention No.:	Date of intervention:	Total hours of operation:
Type of intervention: Lamp replacement <input type="checkbox"/> Starter replacement <input type="checkbox"/> Other _____		
Next intervention in _____ hours Notes _____ _____ _____		Stamp and signature of authorized technician

Model of equipment:		Serial No.:
Intervention No.:	Date of intervention:	Total hours of operation:
Type of intervention: Lamp replacement <input type="checkbox"/> Starter replacement <input type="checkbox"/> Altro _____		
Next intervention in _____ hours Notes _____ _____ _____		Stamp and signature of authorized technician

Model of equipment:		Serial No.:
Intervention No.:	Date of intervention:	Total hours of operation:
Type of intervention: Lamp replacement <input type="checkbox"/> Starter replacement <input type="checkbox"/> Other _____		
Next intervention in _____ hours Notes _____ _____ _____		Stamp and signature of authorized technician

Model of equipment:		Serial No.:
Intervention No.:	Date of intervention:	Total hours of operation:
Type of intervention: <div style="display: flex; justify-content: space-around;"> <div>Lamp replacement <input type="checkbox"/></div> <div>Starter replacement <input type="checkbox"/></div> </div> Other _____		
Next intervention in _____ hours Notes _____ _____ _____		Stamp and signature of authorized technician

Model of equipment:		Serial No.:
Intervention No.:	Date of intervention:	Total hours of operation:
Type of intervention: <div style="display: flex; justify-content: space-around;"> <div>Lamp replacement <input type="checkbox"/></div> <div>Starter replacement <input type="checkbox"/></div> </div> Altro _____		
Next intervention in _____ hours Notes _____ _____ _____		Stamp and signature of authorized technician

Model of equipment:		Serial No.:
Intervention No.:	Date of intervention:	Total hours of operation:
Type of intervention: <div style="display: flex; justify-content: space-around;"> <div>Lamp replacement <input type="checkbox"/></div> <div>Starter replacement <input type="checkbox"/></div> </div> Other _____		
Next intervention in _____ hours Notes _____ _____ _____		Stamp and signature of authorized technician

Model of equipment:		Serial No.:
Intervention No.:	Date of intervention:	Total hours of operation:
Type of intervention: Lamp replacement <input type="checkbox"/> Starter replacement <input type="checkbox"/> Other _____		
Next intervention in _____ hours Notes _____ _____ _____		Stamp and signature of authorized technician

Model of equipment:		Serial No.:
Intervention No.:	Date of intervention:	Total hours of operation:
Type of intervention: Lamp replacement <input type="checkbox"/> Starter replacement <input type="checkbox"/> Altro _____		
Next intervention in _____ hours Notes _____ _____ _____		Stamp and signature of authorized technician

Model of equipment:		Serial No.:
Intervention No.:	Date of intervention:	Total hours of operation:
Type of intervention: Lamp replacement <input type="checkbox"/> Starter replacement <input type="checkbox"/> Other _____		
Next intervention in _____ hours Notes _____ _____ _____		Stamp and signature of authorized technician

Model of equipment:		Serial No.:
Intervention No.:	Date of intervention:	Total hours of operation:
Type of intervention: Lamp replacement <input type="checkbox"/> Starter replacement <input type="checkbox"/> Other _____		
Next intervention in _____ hours Notes _____ _____ _____		Stamp and signature of authorized technician

Model of equipment:		Serial No.:
Intervention No.:	Date of intervention:	Total hours of operation:
Type of intervention: Lamp replacement <input type="checkbox"/> Starter replacement <input type="checkbox"/> Altro _____		
Next intervention in _____ hours Notes _____ _____ _____		Stamp and signature of authorized technician

Model of equipment:		Serial No.:
Intervention No.:	Date of intervention:	Total hours of operation:
Type of intervention: Lamp replacement <input type="checkbox"/> Starter replacement <input type="checkbox"/> Other _____		
Next intervention in _____ hours Notes _____ _____ _____		Stamp and signature of authorized technician

